

# Brake Caliper DH 020 FHM

spring activated – hydraulically released



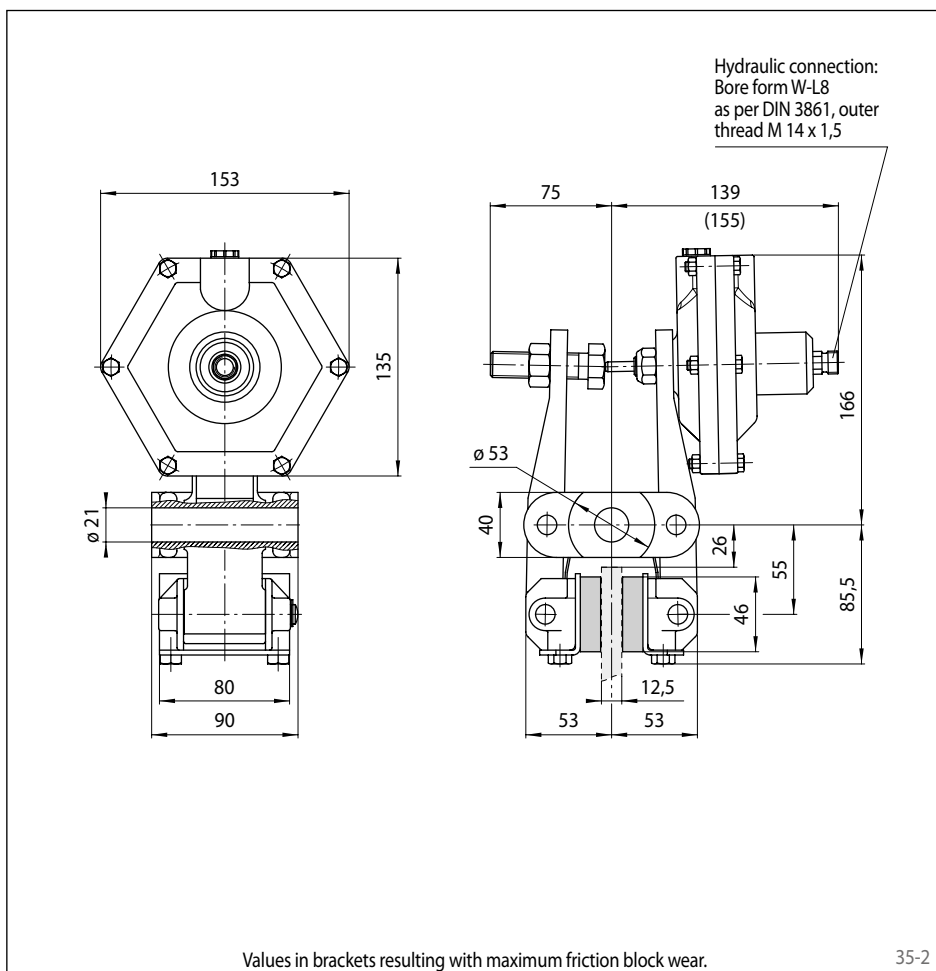
35-1

Features	Code
Brake Caliper	D
Mounting to the machine at right angles to the brake disc	H
Frame size 020	020
Spring activated	F
Hydraulically released	H
Manual adjustment to accommodate friction block wear	M
Thruster 210	210
Position of the thruster to the right or left can be defined by turning the brake around during installation	U
Thickness of brake disc 12,5 mm	12

## Example for ordering

Brake Caliper DH 020 FHM, thruster 210, position of the thruster can be to the right or left, thickness of brake disc 12,5 mm:

DH 020 FHM - 210 U - 12



35-2

## Technical Data

Brake Caliper DH 020 FHM with thruster 210	
Brake disc diameter	Braking torque
mm	Nm
200	200
250	270
300	340
355	420
430	520
520	650
Clamping force	3 500 N
Oil pressure	min. 65 bar max. 100 bar
Oil volume	max. 2,5 cm <sup>3</sup>
Weight	5,4 kg

The braking torques shown in the diagram are based on a theoretical friction coefficient of 0,4.